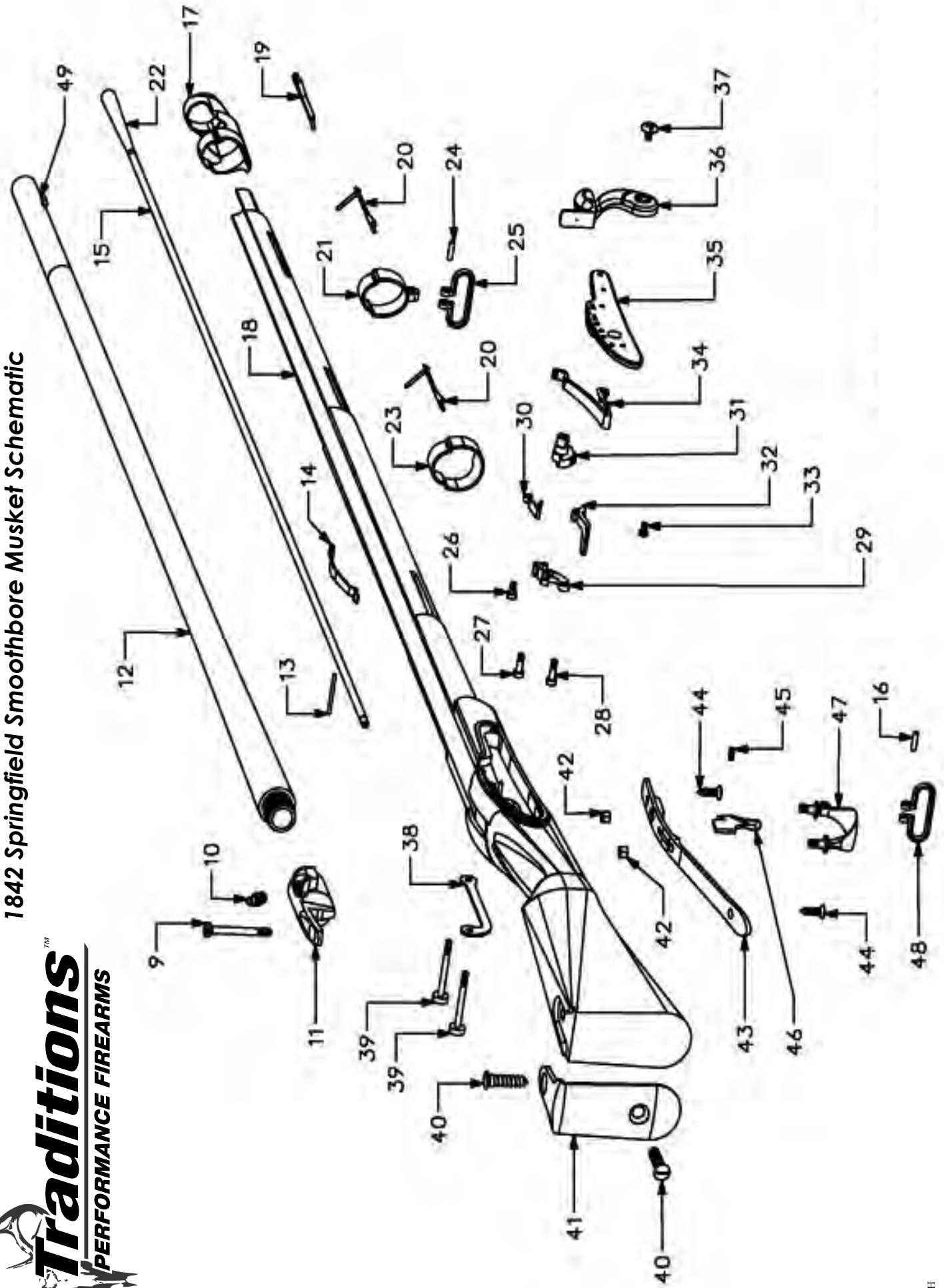




1842 Springfield Smoothbore Musket Schematic





Spare Parts List 1842 Springfield Smoothbore Musket

ITEM	DRAW.REF.	DESCRIPTION	QUANTITY OF PART NEEDED	ITEM	DRAW.REF.	DESCRIPTION	QUANTITY OF PART NEEDED
098.094		STOCK COMPLETE		790.042	31	tumbler	1
780.007	18	stock	1	790.043	32	sear	1
K760.031	41	butt plate	1	730.131	37	hammer screw	1
730.124	40	butt plate screw	2	730.132	27	bridle screw	1
730.084	13	retainer spring pin	1	730.133	28	sear screw	1
721.043	14	retainer spring	1	730.134	26	sear spring screw	1
098.095		BARREL SMOOTHBORE COMPLETE		730.135	33	main spring screw	1
710.038	12	barrel	1	721.052	34	main spring	1
790.032	11	breech tang	1	721.053	30	sear spring	1
770.053	49	baionet lug	1	098.097			
730.064	10	nipple	1	730.126	9	tang screw	1
098.096		TRIGGER PLATE-GUARD ASSEMBLY		760.032	38	side plate	1
790.033	43	trigger plate	1	730.127	39	side screw	2
790.035	46	trigger	1	730.128	44	trigger plate screw	2
730.107	45	trigger screw	1	790.037	23	rear band	1
150.000	42	trigger plate nut	2	790.039	17	front band	1
098.151		TRIGGER GUARD COMPLETE		721.050	19	front band spring	1
790.034	47	trigger guard	1	721.051	20	middle rear band spring	2
730.125	16	swivel pin	1	730.433	15-22	ramrod	1
790.036	48	swivel	1	098.099		MIDDLE BAND COMPLETE	
098.025		LOCK COMPLETE		790.038	21	middle band	1
770.055	35	lock plate	1	730.125	24	swivel pin	1
790.040	36	hammer	1	790.036	25	swivel	1
790.041	29	bridle	1				